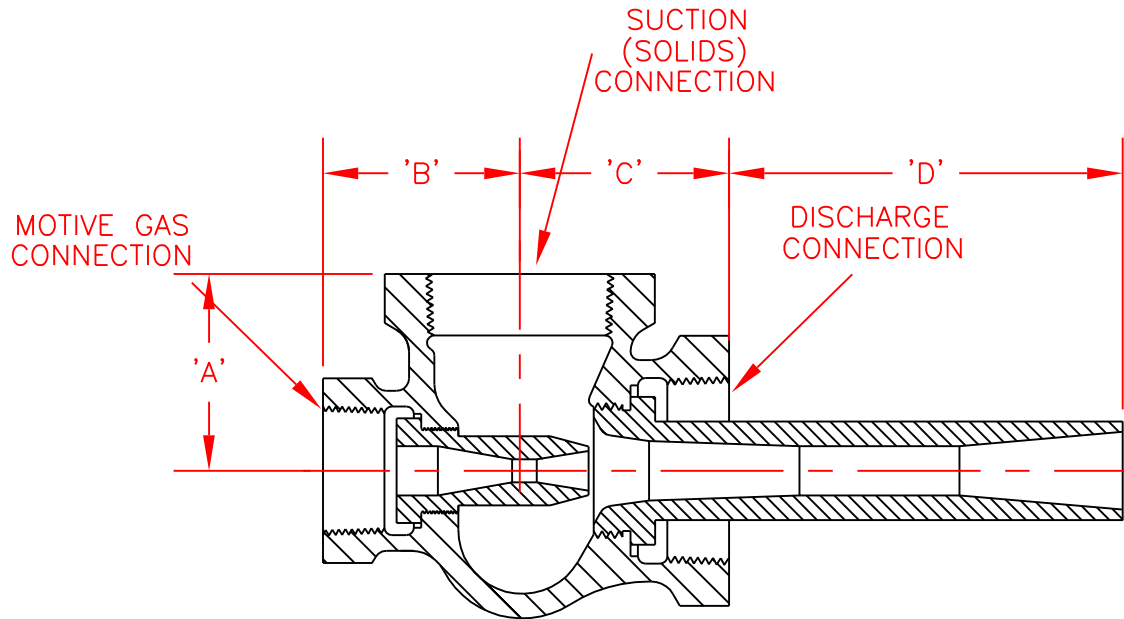



NOTE: NBTGS AND NCTGS GAS-JET SOLIDS EDUCTORS HAVE THE SAME OPERATING CHARACTERISTICS



CAPACITY FACTOR	MODEL	DIM. A	DIM. B	DIM. C	DIM. D	PRESSURE CONNECTION	SUCTION & DISCHARGE CONNECTION
0.091	NCTGS1	1-1/4"	1-1/4"	1-1/2"	1-5/16"	3/8" NPT	1/2" NPT
0.165	NCTGS2	1-3/8"	1-7/16"	1-1/2"	2-7/8"	1/2" NPT	3/4" NPT
0.30	NCTGS3	1-1/2"	1-9/16"	1-11/16"	3-7/16"	3/4" NPT	1" NPT
0.55	NCTGS4	2"	2"	2-1/8"	5"	1" NPT	1-1/2" NPT
1.00	NCTGS5	2"	2"	2-1/8"	7-1/8"	1" NPT	1-1/2" NPT
1.80	NCTGS6	2-1/2"	2-3/8"	2-3/4"	9-5/8"	1-1/2" NPT	2" NPT
3.24	NCTGS7	3-1/2"	3-1/8"	3-3/4"	13-1/8"	2" NPT	3" NPT
4.30	NCTGS8	3-1/2"	3-1/8"	3-3/4"	15-1/2"	2" NPT	3" NPT
5.71	NCTGS9	4-1/2"	4"	4-13/16"	13-5/8"	3" NPT	4" NPT
7.57	NCTGS10	4-1/2"	4"	4-13/16"	16-1/8"	3" NPT	4" NPT

NO.	DATE	REVISION	BY
 <b>ELMRIDGE</b> TORONTO, ONTARIO CANADA <b>JET APPARATUS</b> LIVONIA, MICHIGAN USA			
PROJECT: <b>Gas-Jet Solids Eductors</b>			
PART: <b>NCTGS Dimensions</b>			
MATERIAL:			QTY.:
<small>UNLESS OTHERWISE SPECIFIED, GENERAL TOLERANCES:</small> X/X = ± 1/32" XX = ± .010 XXX = ± .002 DEG. = ± 1/2°		SCALE: <b>None</b>	RELEASE DATE:
		DRAWN BY: <b>B.W.</b>	DATE: <b>8/4/95</b>
		APPROVED BY:	DATE:
NOTE: <b>NCTGS-D</b>		DRAWING NUMBER <b>1751 - A</b>	REV.NO. <b>1.1</b>

DIMENSIONS AND SPECIFICATIONS ARE SUBJECT TO CHANGE WITHOUT NOTICE