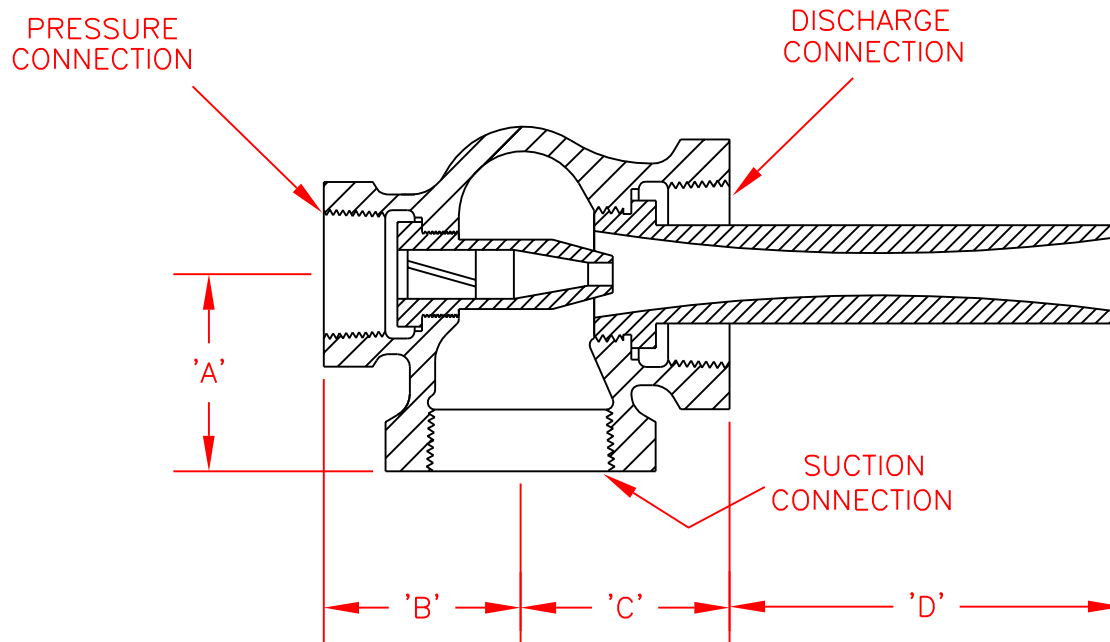



NOTE: NBTLGT & NCTLGT EXHAUSTERS HAVE THE SAME OPERATING CHARACTERISTICS



CAPACITY FACTOR	MODEL	DIM. A	DIM. B	DIM. C	DIM. D	PRESSURE CONNECTION	SUCTION & DISCHARGE CONNECTION
0.091	NCTLGT1	1-1/4"	1-1/4"	1-1/2"	1-5/16"	3/8" NPT	1/2" NPT
0.165	NCTLGT2	1-3/8"	1-7/16"	1-1/2"	2-7/8"	1/2" NPT	3/4" NPT
0.30	NCTLGT3	1-1/2"	1-9/16"	1-11/16"	3-7/16"	3/4" NPT	1" NPT
0.55	NCTLGT4	2"	2"	2-1/8"	5"	1" NPT	1-1/2" NPT
1.00	NCTLGT5	2"	2"	2-1/8"	7-1/8"	1" NPT	1-1/2" NPT
1.80	NCTLGT6	2-1/2"	2-3/8"	2-3/4"	9-5/8"	1-1/2" NPT	2" NPT
3.24	NCTLGT7	3-1/2"	3-1/8"	3-3/4"	13-1/8"	2" NPT	3" NPT
4.30	NCTLGT8	3-1/2"	3-1/8"	3-3/4"	15-1/2"	2" NPT	3" NPT
5.71	NCTLGT9	4-1/2"	4"	4-13/16"	17-3/4"	3" NPT	4" NPT
7.57	NCTLGT10	4-1/2"	4"	4-13/16"	20-9/16"	3" NPT	4" NPT

NOTE: UNIT SHOULD BE MOUNTED VERTICALLY WITH THE DISCHARGE POINTING DOWNWARDS

DIMENSIONS AND SPECIFICATIONS ARE SUBJECT TO CHANGE WITHOUT NOTICE

NO.	DATE	REVISION	BY
 TORONTO, ONTARIO CANADA LIVONIA, MICHIGAN USA			
PROJECT: Liqui-Jet Exhausters			
PART: NCTLGT Dimensions			
MATERIAL:			QTY.:
UNLESS OTHERWISE SPECIFIED, GENERAL TOLERANCES: X/X = ± 1/32" .XX = ± .010 .XXR = ± .002 DEG. = ± 1/2°		SCALE: None	RELEASE DATE:
		DRAWN BY: B.W.	DATE: 8/4/95
		APPROVED BY:	DATE:
NOTE: NCTLGT-B-D		DRAWING NUMBER 1969 - A	REV.NO. 1.0